

WS-50~200(mm) R160/R200

Woltman Vertical Installation type Dry-dial Cold (Hot) water meter

This type of water meter can be used for a remote reading transmission system as equipped with a built-in sensor.

Application

--Measuring the volume of cold (hot) water passing through the pipeline

Feature

- Removable element structure, easy installation and maintenance, Register for universal use within this range detachable without Removing the meter from the pipeline;
- Dry-dial, Magnetic drive sensitive action, small pressure loss;
- Can make Photoelectric direct reading remote transmission and OUTPUT water meter, Remote transmission device can be added upon request. Such as Reed Switch or Hall, Pulse Output:1000L/P、100L/P.
- Technical data conform to international standard ISO 4064.



Working condition

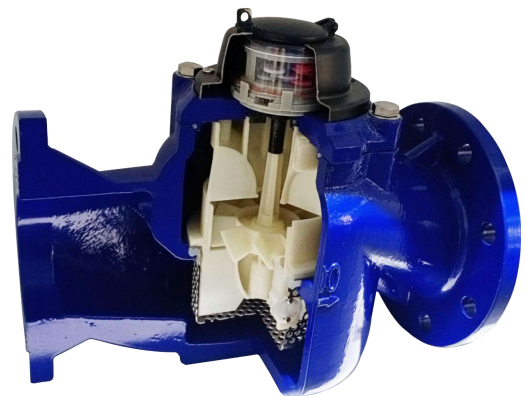
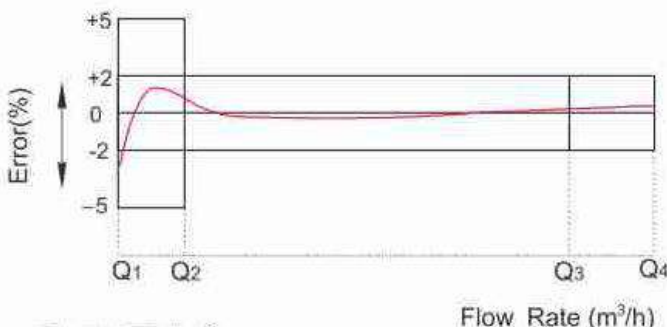
- Water temperature: 0.1°C ~ 50°C for cold water meter .
0.1°C ~ 90°C for hot water meter.
- Water pressure: PN10/16/25
- Pressure -loss class: $\Delta p63$



Maximum permissible errors

- (1) From minimum flow -rate (Q1) inclusive to transitional flow-rate (Q2) exclusive $\pm 5\%$
- (2) From transitional flow-rate (Q2) to overload flow-rate (Q4): $\pm 2\%$ (Hot water meter $\pm 3\%$)

Flow Error Curve



CALIBRATE®

High Accuracy

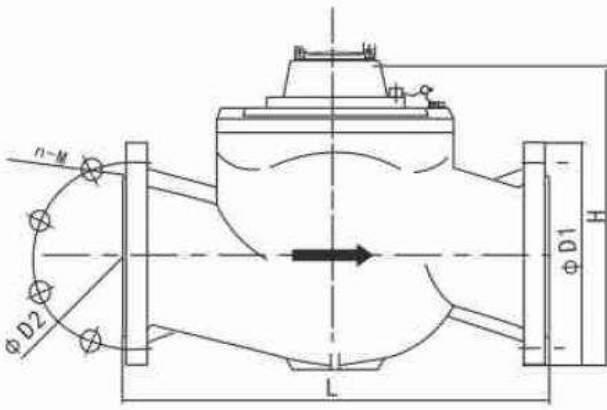


Optional Features

- Plastic register, copper register and full glass register.
- Reed switch option.
- Flange standard can be choose.
- 360 degree rotate can be choose.
- Ductile iron body .
- Color can be change on body and cover.

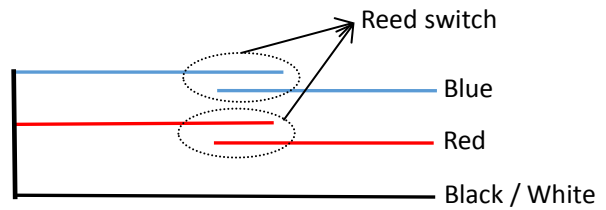


Dimensions



Pulse Position

Size	Pulse Position
DN50-65	100/1000L/Pulse
DN80-200	100/1000L/Pulse



Type	Size	L Length	H Height	Connecting flange		
				φ D1 Outside diameter	φ D2 Bolt circle diameter	Connecting Bolts (n-M)
WS-50	50	280	280	165	125	4-M16
WS-65	65	280	280	185	145	4-M16
WS-80	80	370	300	200	160	8-M16
WS-100	100	370	302	220	180	8-M16
WS-150	150	500	500	285	240	8-M20
WS-200	200	500	515	340	295	8-M20(1.0MPa)
						12-M20(1.6MPa)



NOTE: The flange dimension conforms to ISO7005-2:1988 standard.
Order for products of special requirements is also accepted.

CALIBRATE®

High Accuracy



▼ Flow Technique Specification

Size	Q3 Overload Flow	Q4 Permanent Flow	R= Q3/Q1	R= Q2/Q1	Q2 Transitional Flow	Q1 Minimum Flow	Min. Reading	Max. Reading
DN	m ³ /h				m ³ /h			
50mm	40	50	160	1.6	0.4	0.25	0.0005	999,999
				6.3	1.58			
			200	1.6	0.32	0.2		
				6.3	1.26			
65mm	40	50	160	1.6	0.4	0.25	0.0005	999,999
				6.3	1.58			
			200	1.6	0.32	0.2		
				6.3	1.26			
80mm	63	79	160	1.6	0.63	0.39	0.0005	999,999
				6.3	2.48			
			200	1.6	0.5	0.32		
				6.3	2			
100mm	100	125	160	1.6	1	0.63	0.0005	999,999
				6.3	23.94			
			200	1.6	0.8	.5		
				6.3	3.15			
150mm	250	312	160	1.6	2.5	1.56	0.0005	999,999
				6.3	9.8			
			200	1.6	2	1.25		
				6.3	7.9			
200mm	400	500	160	1.6	4	2.5	0.0005	999,999
				6.3	15.8			
			200	1.6	3.2	2		
				6.3	12.6			

All meters will be guaranteed against defects in workmanship and materials for a period of one (1) year from the date of acceptance.