

LXLC(R)-50~300(mm)

Removable element woltman cold (hot) water meter

This type of water meter can be used for a remote reading transmission system as equipped with a built-in sensor.

Application

--Measuring the volume of cold (hot) water passing through the pipeline

Feature

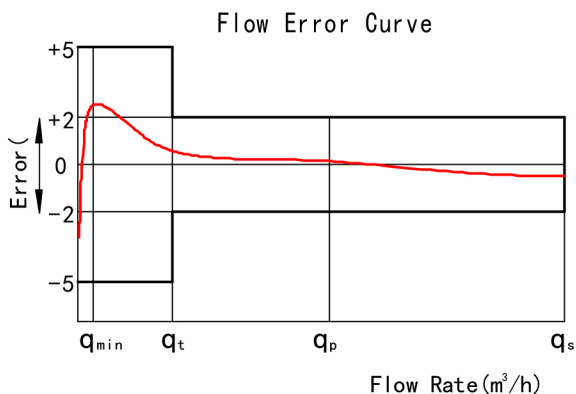
- Removable element structure, easy installation and maintenance, Register for universal use within this range detachable without Removing the meter from the pipeline;
- Dry-dial, Magnetic drive sensitive action, small pressure loss;
- Vacuum sealed register ensures the dial keep free from fog and Keep the reading clear in a long term service;
- Selected high quality materials for steady & reliable characteristic;
- Technical data conform to international standard ISO 4064.

Working condition

- Water temperature: $0.1^{\circ}\text{C} \sim 50^{\circ}\text{C}$ for cold water meter .
 $0.1^{\circ}\text{C} \sim 90^{\circ}\text{C}$ for hot water meter.
- Water pressure: PN10/16/25
- Pressure -loss class: $\Delta p25$

Maximum permissible errors

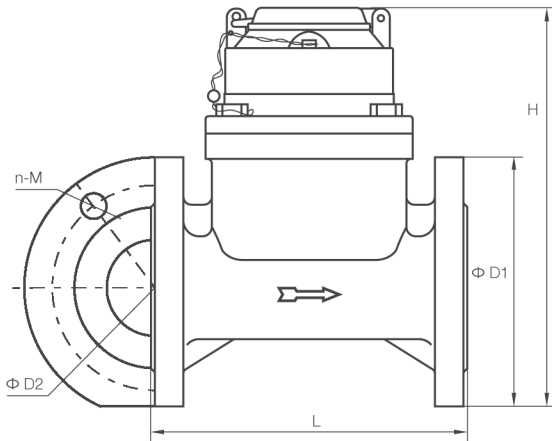
- (1) From minimum flow -rate (Q1) inclusive to transitional flow-rate (Q2) exclusive $\pm 5\%$
- (2) From transitional flow-rate (Q2) to overload flow-rate (Q4): $\pm 2\%$ (Hot water meter $\pm 3\%$)



Optional Features

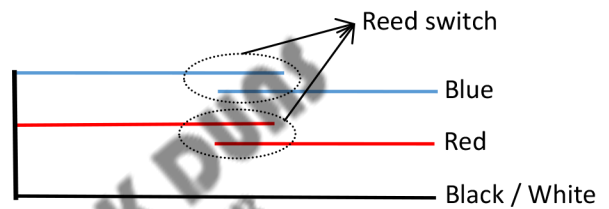
- Copper register.
- Reed switch option.
- Cast iron.

Dimensions



Pulse Position

Size	Pulse Position
DN50-65	10/100/1000L/Pulse
DN80-200	100/1000L/Pulse
DN250-300	1000L/10000L/Pulse

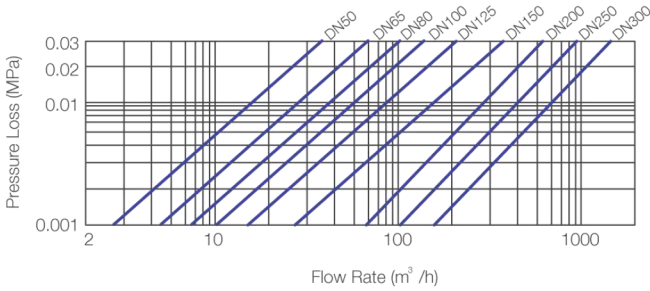


Type	Size	L Length	H Height	Connecting flange		
				Φ D1 Outside diameter	Φ D2 Bolt circle diameter	Connecting Bolts (n-M)
LXLC-50	50	200	261	165	125	4-M16
LXLC-65	65	200	271	185	145	4-M16
LXLC-80	80	225	279	200	160	8-M16
LXLC-100	100	250	289	220	180	8-M16
LXLC-125	125	250	299	250	210	8-M16
LXLC-150	150	300	319	285	240	8-M20
LXLC-200	200	350	346	340	295	8-M20(1.0MPa)
						12-M20(1.6MPa)
LXLC-250	250	450	450	395(1.0MPa)	350(1.0MPa)	12-M20(1.0MPa)
				405(1.6MPa)	355(1.6MPa)	12-M24(1.6MPa)
LXLC-300	300	500	478	445(1.0MPa)	400(1.0MPa)	12-M20(1.0MPa)
				460(1.6MPa)	410(1.6MPa)	12-M24(1.6MPa)



NOTE: The flange dimension conforms to ISO7005-2:1988 standard.
Order for products of special requirements is also accepted.

Pressure Loss Curve



Register Copper Register



Installation

Pipe	Horizontal	
	Vertical-Inclined	
Meter head	Upwards	
	Sideways	

Exploded View



▼ Flow Technique Specification

Size	Class	Q4 Overload Flow	Q3 Permanent Flow	R= Q3/Q1	Q2 Transitional Flow	Q1 Minimum Flow	Min. Reading	Max. Reading
DN		m ³ /h			m ³ /h			
50	A	31.3	25	50	0.8	0.5	0.0002	999,999
	B	50	40	80	0.5	0.32		
65	A	50	40	50	1.28	0.8	0.0002	999,999
	B			80	0.8	0.5		
80	A	78.8	63	50	2	1.26	0.002	999,999
	B			80	1.3	0.79		
100	A	125	100	50	3.2	2	0.002	999,999
	B			80	2	1.25		
125	A	200	160	50	5.12	3.2	0.002	999,999
	B			80	3.2	2		
150	A	312.5	250	50	8	5	0.002	999,999
	B			80	5	3.1		
200	A	500	400	50	12.8	8	0.002	999,999
	B			80	8	5		
250	A	787.5	630	25	40.32	25.2	0.002	9,999,999
	B			50	20.16	12.6		
300	A	1250	1000	25	64	40	0.02	9,999,999
	B			50	32	20		

All meters will be guaranteed against defects in workmanship and materials for a period of one (1) year from the date of acceptance.