

# B&R

Multi-Jet Water Meter



**UTATIP METERTEK DUAS**  
SOLUSI METER & FLOWMETER

**SNI** 2547 : 2008

**MT-KD-X**

**15 mm**

- ✓ The meters MT-KD-X Multi-Jet Water Meter was designed to measure portable water.
- ✓ Working principle: while water passes through the water meter, several water jets make the impeller rotate. The impeller's rotations are proportional to quantity of water passing through and magnetically transmitted to the register, in which the reading of the water meter takes place.
- ✓ Its solid and sturdy construction makes the meters MT-KD-X Multi-Jet Water Meter suitable for various applications.
- ✓ The meters MT-KD-X Multi-Jet Water Meter ensures high sensitivity and accurate registration throughout a wide flow range.

### Characteristics and Advantages

- Hermetically vacuum-sealed register
- Magnetic transmission
- Magnetic shield, for external magnetic field protection
- High-flow accuracy and steady curve characteristics
- Solid and robust design
- High scratch resistant glass
- Internal strainer
- Minimum friction wear due to negligible impeller weight, bearing flushing and hard metals
- External calibration
- Rotating star for flow indication, electronic calibration on the test bench and leak detection
- Internal Check valve - Optional

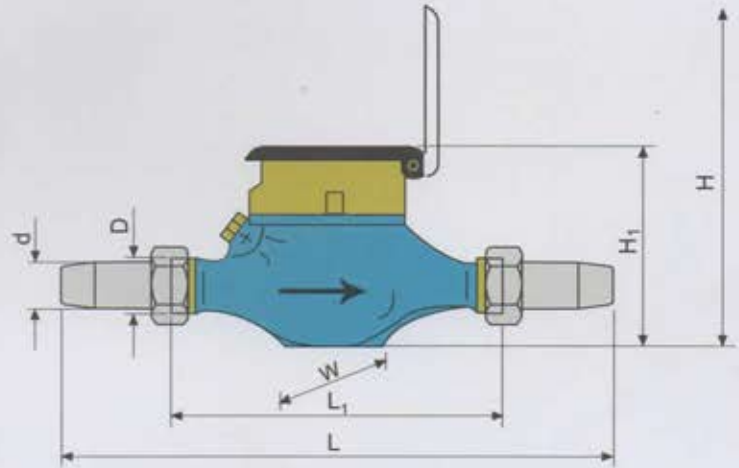
### Compliance with Standards

- ISO 4064 Class B

# MT-KD-X

## Dimensions and Weights

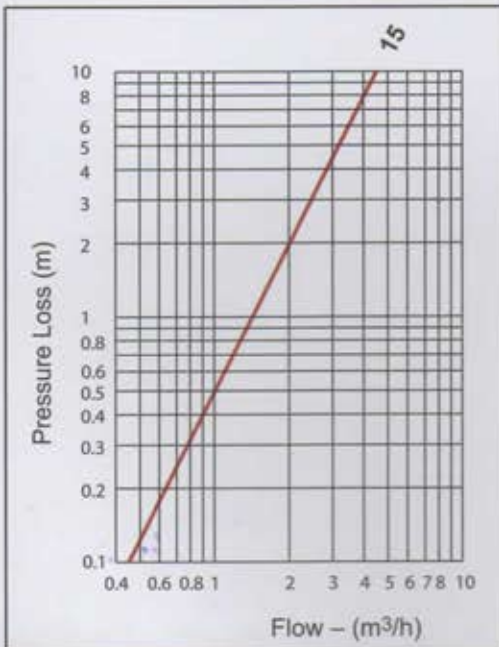
Nominal Size DN Ø	mm	15
	inch	1/2"
Body thread (inch)	D	3/4"
Connectors thread (inch)	d	1/2"
Length (mm)	L	259
	L <sub>1</sub>	165
Width (mm)	W	93
Height (mm)	H	167
Height (mm)	H <sub>1</sub>	98
Weight without connectors (kg)		1.08
Weight with connectors (kg)		1.25



## Operating Conditions

- Water temperature: up to 50°C
- Pressure rating: PN-10

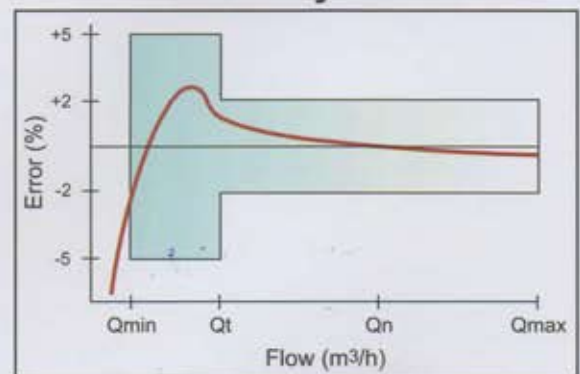
## Pressure Loss Curve



## Metrological Data

Nominal Size DN Ø	mm	15
	inch	1/2"
Q <sub>n</sub> – Nominal Flow	m <sup>3</sup> /h	1.6
Q <sub>max</sub> – Max. Flow	m <sup>3</sup> /h	2
Q <sub>t</sub> – Transitional Flow	m <sup>3</sup> /h	0.128
Q <sub>min</sub> – Min. Flow	l/h	32

## Accuracy Curve



Distributed by :



**UTATIP METERTEK DUAS**  
SOLUSI METER & FLOWMETER

Telp. +6221-2913-5706

Hp. +62812-8836-5600